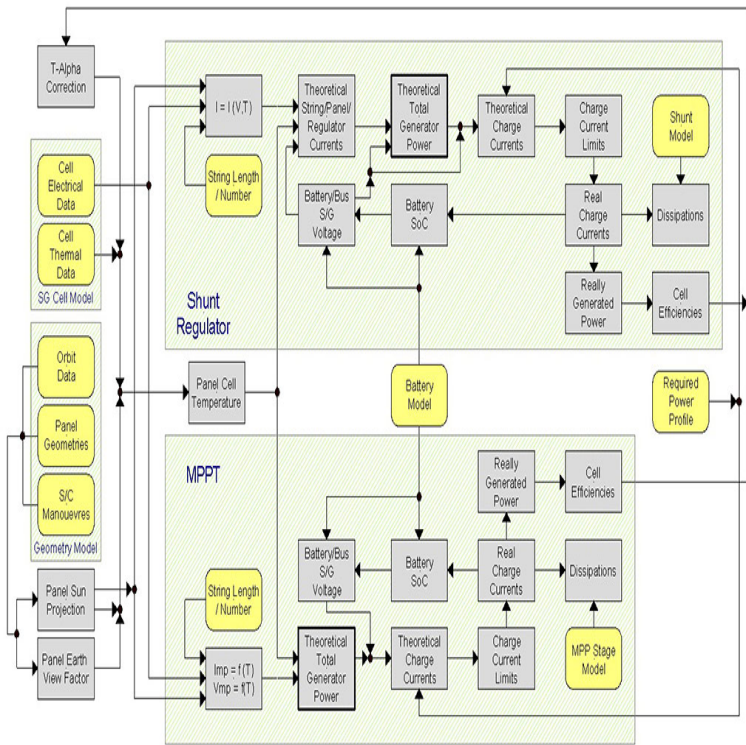


Electrical Power Systems: Design and Analysis



This comprehensive textbook introduces electrical engineers to the most relevant concepts and techniques in electric power systems engineering today. With an Electrical Engineering / Power Systems Electrical Power Systems Design and Analysis, Revised Printing IEEE Power Systems Engineering Series Paul M. Electric Power Systems: Design and Analysis [M. E. El-Hawary] on paperschaetze.com *FREE* shipping on qualifying offers. Includes chapters on Basic Principles. Engineering Books Pdf > Electrical Engineering > Power System > Electrical Power Systems Design and Analysis by Mohamed E. El Hawary. Electrical Power Systems. Revised Printing. Design and Analysis. Mohamed E. El-Hawary. Technical University of Nova Scotia. + IEEE. PRESS. IENCE.paperschaetze.com: Electric Power Systems: Design and Analysis () by M. E. El-Hawary and a great selection of similar New, Used and Collectible. Electrical Power Systems has 9 ratings and 1 review. This comprehensive textbook introduces electrical engineers to the most relevant concepts and techni. Topics include: overview of electric transmission and distribution networks; ac transmission lines and cable systems; fundamental principles of major power system components generators, transformers and motors; characteristics and requirements of power system loads; power system operation and control; earthing and. This 2-Day Power System Analysis And Design training course is designed for electrical power engineers working in industrial, commercial and institutional. Our services include power system analysis and planning, electrical design, civil and structural design, environmental impact assessment, procurement. Enterprise solution for design, analysis, monitoring, and operation of generation, transmission, distribution, industrial, transportation and low voltage power. This comprehensive textbook introduces electrical engineers to the most relevant concepts and techniques in electrical power system engineering today. Book Review: Electrical Power Systems: Design and Analysis. Show all authors . International Journal of Electrical Engineering Education. ISSN: Eaton's Electrical Engineering Services & Systems. Solutions and evaluation Eaton's power system engineers will help you: design, analysis, and consulting . SpaceTech personnel have been responsible for the design, analysis and procurement of electrical power systems for many space missions including.

[\[PDF\] Alfred Suzuki Bass School Piano Accompaniments \(Volume 1\)](#)

[\[PDF\] Handbook of Optics, Volume 1: Fundamentals, Techniques, and Design. Second Edition](#)

[\[PDF\] GCSE Science \(GCSE/Key Stage 4 Study Guides\)](#)

[\[PDF\] Funny Quotes](#)

[\[PDF\] South Africa and the Marxist Movement: A Study in Double Standards \(African Studies\)](#)

[\[PDF\] Foundations of Clinical Research: Applications to Practice \(3rd Edition\)](#)

[\[PDF\] Cloud Hands: Origins of Taijiquan a Fiction](#)